

## Low Altitude Recon Systems

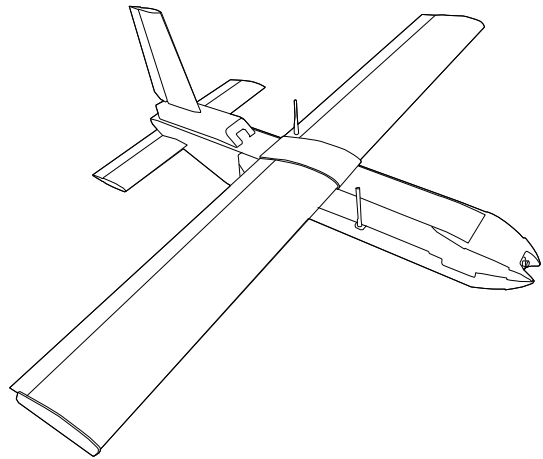
The LARS system comprises at least one Ground Control Station and one LARS airplane.

All the operations are commanded from the ground control station, that is, there is no radio control transmitter, or any need of piloting skills. This whole system can be operated by one single person.

### The airframe

Its tough construction and durable material protects both payload and the airframe itself and avoids any damage that the usual transport and handling operations can inflict on the system.

LARS UAV is autopiloted and equipped from factory with two cameras, one for ground viewing and the other for flight view, leaving the rest of its large bay for any other custom payload or sensor to be installed, or just to use it straight away for aerial inspection with no additional systems.



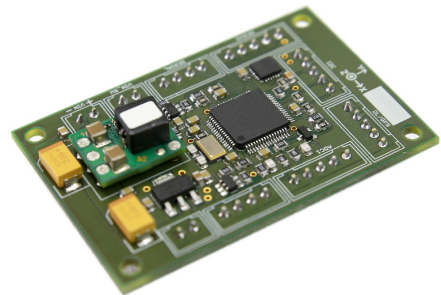
### Airframe specifications

Here is a list of the main airframe specifications

Wing Span	1800 mm (71")
Weight	2.2 kg (4.9 lb), including battery and cameras
Cruise Speed	45 km/h (28 mph)
Endurance	80 minutes
Range	10 km (6.2 mi)
Flight overall distance	60 km (37 mi)
Extra payload weight	Up to 600g (1.3 lb)

### Auto takeoff

Getting the plane up in the air could not be easier: simply run with the plane on your hand and our autopilot will detect your speed and will activate the auto takeoff. The plane will then activate the motor and take off from your hand. Then you can walk back to the Ground control station.



## **Auto Landing**

By simply clicking one button in the Ground control station, the plane will automatically belly land\*. There is no need for a runway, or a landing net or any other bulky landing system that needs deployment and a lot of room.

## **Fast deployment**

The whole system consists of only two items: the Ground Control Station suitcase and the Airplane. Depending on the space requirements of the client, the airframe can be disassembled in more or less pieces, but the assembly time never exceeds 6-7 minutes if a single person operating it.

---

\* Note that the plane will LAND, not simply descend until it hits the ground like other systems do.